

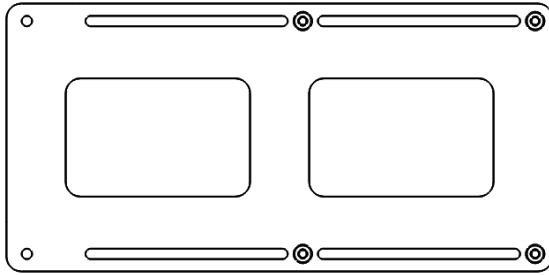
FH-VMO



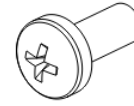
VESA Monitor Offset Bracket. Need support or want to provide feedback? Support@fibrehead.com

FibreHead

Parts
Included



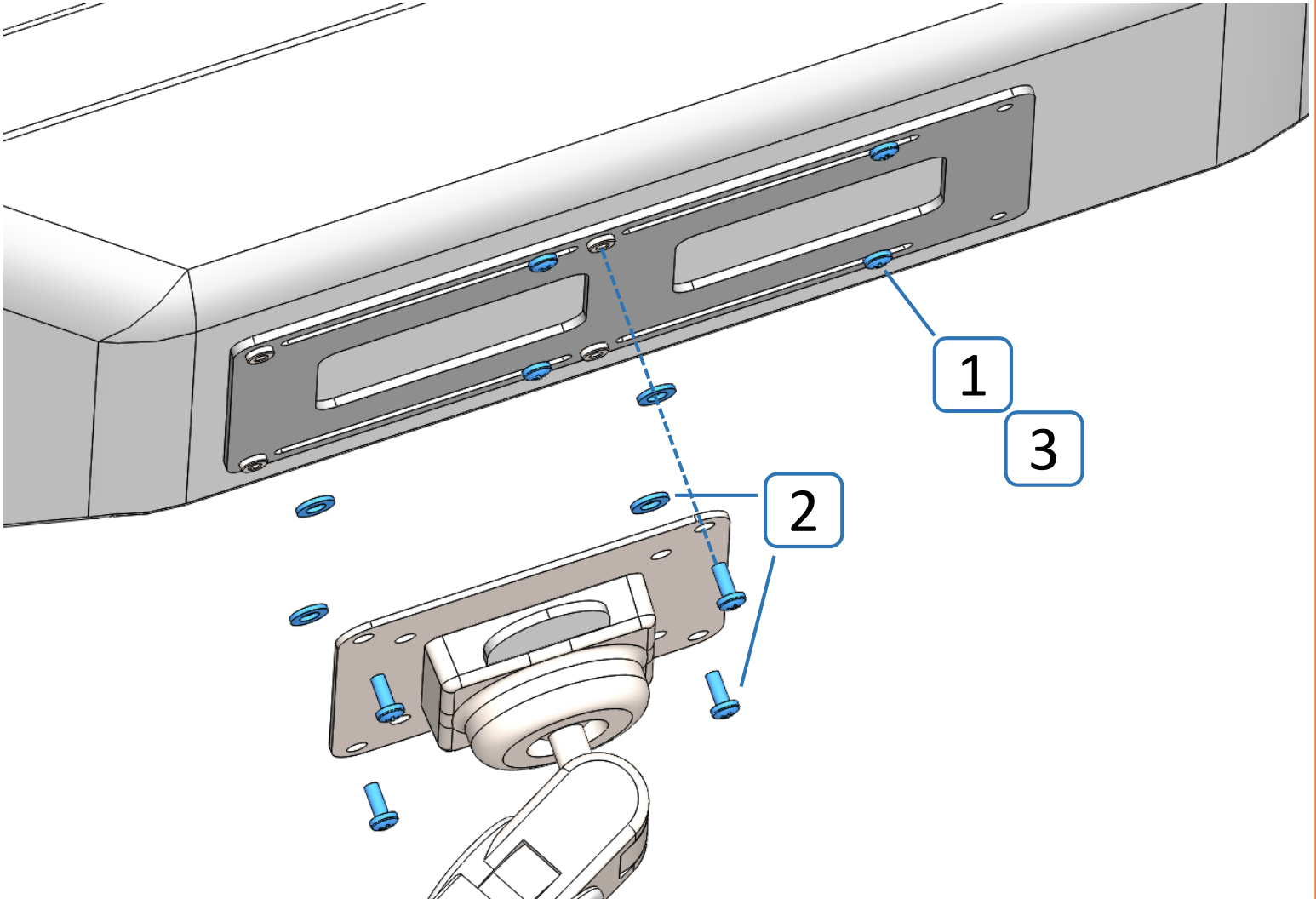
Hardware
Included



8x Screws



16x Washers



1. Attach bracket onto back of LCD with M4 screws into slots. No spacers in this step. Screws should be just tight enough so Bracket can still slide sideways.

2. Attach Monitor arm onto Bracket using M4 screws and spacers sandwiched between. If bracket does not slide use additional spacers.

3. Slide LCD into desired location and tighten two outside screws from step 1.