

# FH-TRI Modern Shelf bracket set



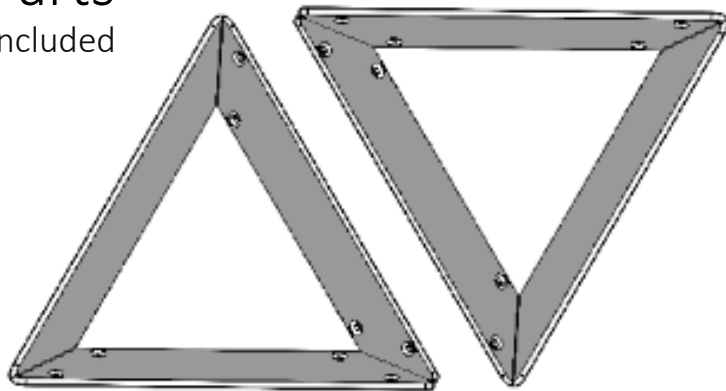
Thank you for purchasing our modern triangular shelf brackets.  
These brackets are designed for 8" deep real wood shelves, 5/8" or thicker.

Please read these instructions from start to finish before beginning.  
For any issues or questions contact [support@fibrehead.com](mailto:support@fibrehead.com)

*-Always check/detect routing of pipes and electrical before penetrating/drilling walls.*

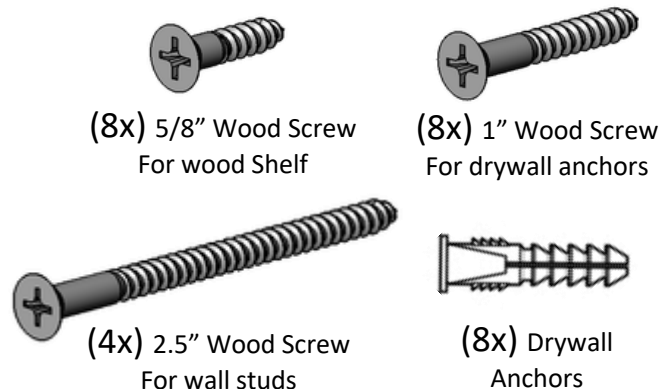
## Parts

Included



## Hardware

Included



(8x) 5/8" Wood Screw  
For wood Shelf

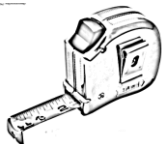
(8x) 1" Wood Screw  
For drywall anchors

(4x) 2.5" Wood Screw  
For wall studs

(8x) Drywall  
Anchors

## Tools Required

Stud Finder



Tape Measure



6mm or 1/4" Drill bit



Pencil



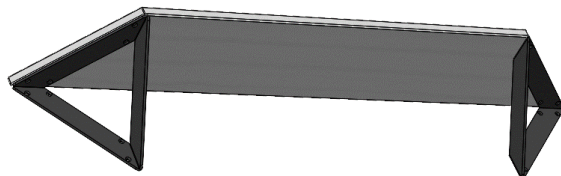
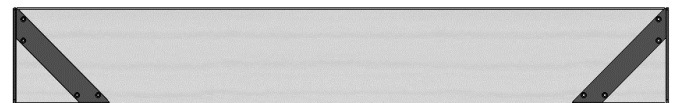
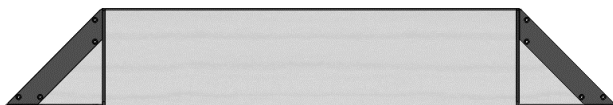
Drill and Philips bit +



Level

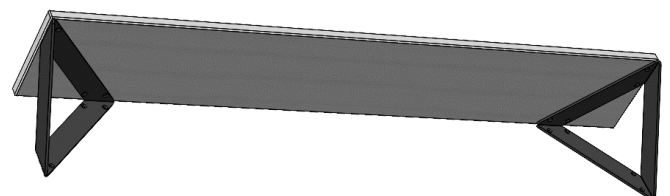


Safety Glasses



45degree Cut Shelf

Or



Straight Cut Shelf

Decide on which configuration you prefer.  
Shelf length should not exceed 5' or 60"  
without additional brackets.

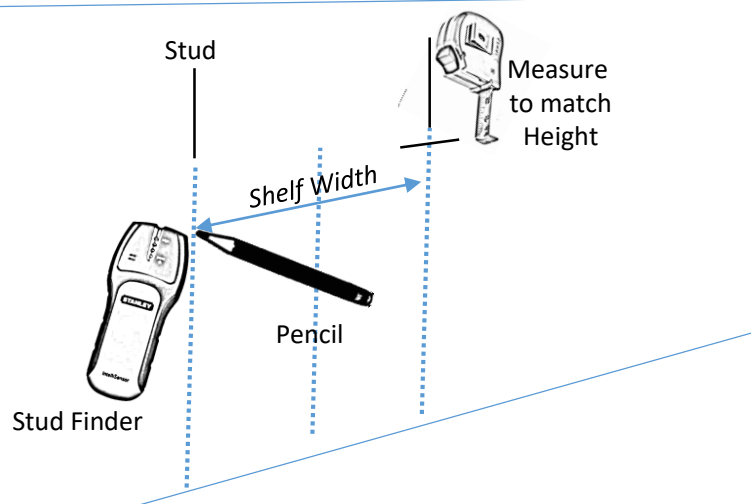
Any Issues or questions contact [Support@fibrehead.com](mailto:Support@fibrehead.com)

# Installation

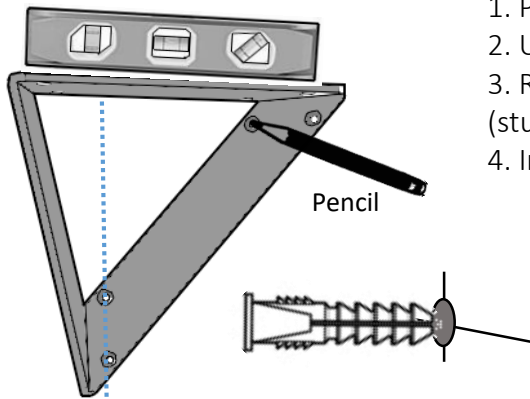
## Step 1. Locate and Mark Studs (At least one bracket should be installed into a Stud)

Most common shelf height is 4.5 feet or 54" from floor.

Studs are spaced 16" apart.



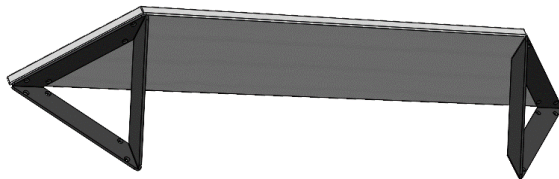
## Step 2. Mark hole locations with bracket as template ,Drill Drywall anchor locations



1. Place the bracket over stud mark and level.
2. Use the bracket as a template to mark holes. Draw Stud + drywall o
3. Remove bracket and drill holes for drywall anchor locations o (studs + don't use drywall anchors/ don't drill)
4. Insert drywall anchors into holes, tap in if needed. Repeat other side.



## Step 3. Fasten brackets, mark and cut shelf. Fasten shelf.



1. Place brackets onto holes. Insert 1" screws into drywall anchors. Insert 2.5" Screws into stud locations.

2. Place 8" Shelf on brackets and mark lines for cuts. Cut shelf to length desired. -Most hardware stores will do cuts if requested- Sand and finish shelf as desired.

3. Fasten shelf with 5/8" screws (x8) , Finished.

