

# Spare wheel hanger

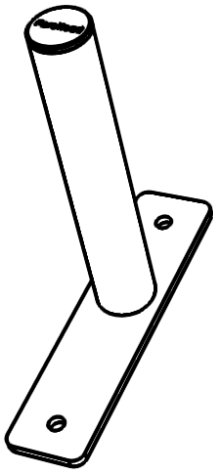
FH-1WH



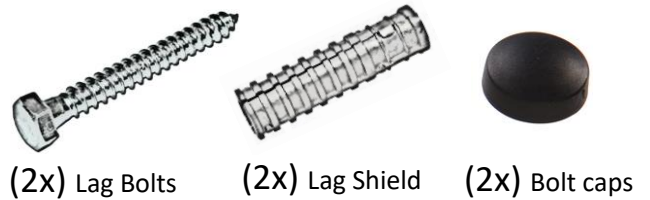
Thank you for purchasing our Flush mounted spare wheel hanger. This product is intended for storing a wheel with tire weighing up to 135lbs. Please read these instructions from start to finish before beginning. For any issues or questions contact [support@fibrehead.com](mailto:support@fibrehead.com)

- We are not liable for damages caused by improper installation or misuse of this product.
- Not recommended for Seismic zones 3 or higher. (earthquake zones)
- Always check/detect routing of pipes and electrical before penetrating/drilling walls.
- Clear the installation space of vehicles or valuables before beginning.

## Parts Included



## Hardware Included



(2x) Lag Bolts

(2x) Lag Shield

(2x) Bolt caps

## Tools Required Not Included

### Drywall with Wood Studs



Stud Finder



1 / 4" Drill bit

Or

### Masonry (concrete/brick)



1 / 2" Drill bit

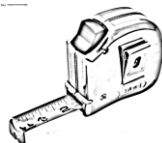


Hammer

## Common



1 / 2"  
Socket + Ratchet



Tape Measure



Pencil



Drill



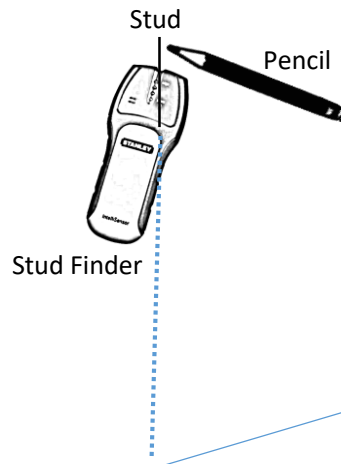
Safety Glasses

Any Issues or questions contact [Support@fibrehead.com](mailto:Support@fibrehead.com)

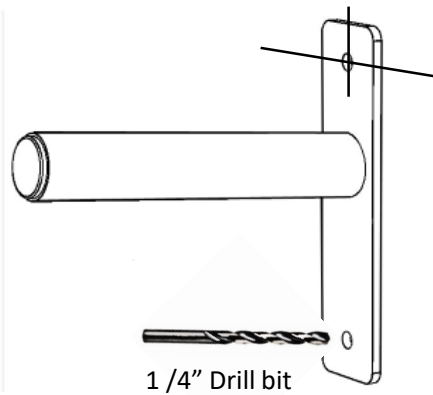
# Wood stud Install

Skip to next section installing into Masonry (Block or Brick)

## Step 1. Locate and Mark Stud (studs are 16" apart)



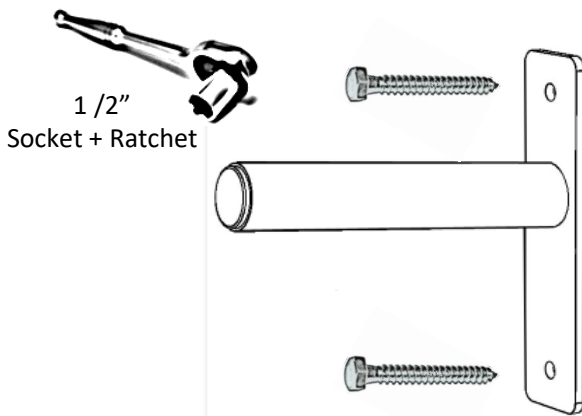
## Step 2. Pre-drill Bolt locations



1. Center top hanger hole over the marked locations and drill **3" deep**.
2. Repeat this for both holes using the hanger as a template. ( you should see wood dust come out with the drill bit).



## Step 3. Fasten bolts and test weight



1. Fasten Bolts using a ratchet.

2. Test Hanger by pulling it up and down with one arm to make sure its securely in the stud.

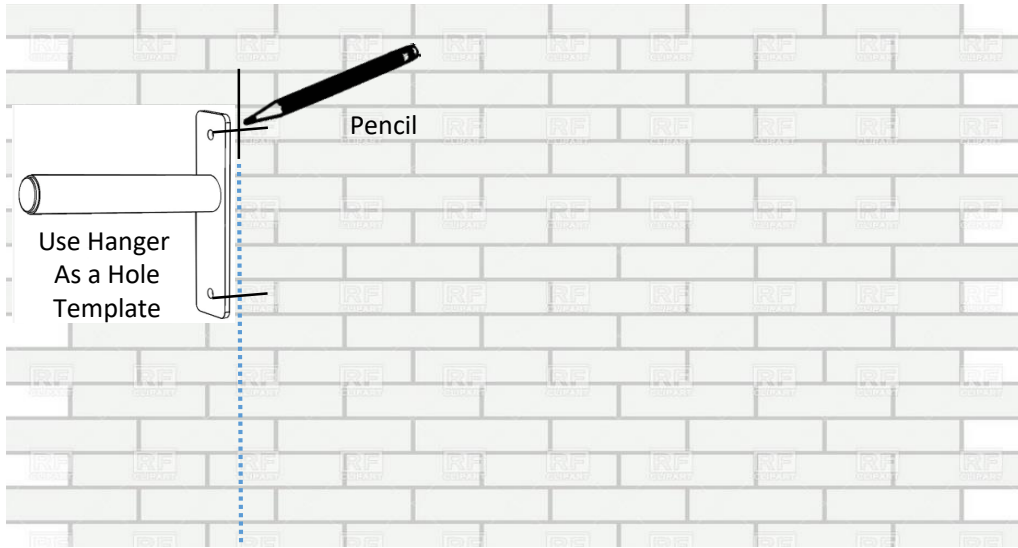
3. Press plastic Caps over each Bolt Head (protects your wheels from scratching)



# Masonry Install

Installing in Concrete, Block or Brick.

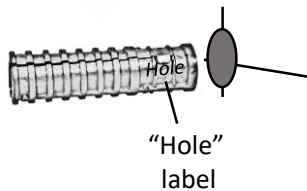
## Step 1. Locate and mark holes.



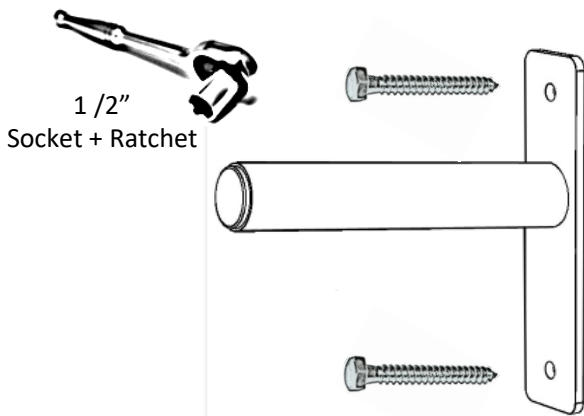
## Step 2. Drill Lag Shield locations



1. On center Mark, use a 1/2" Drill bit and drill 3" deep.
2. Repeat this for both holes
3. Insert Lag Shields ( "Hole" label side first) Tap with Hammer into place.



## Step 3. Fasten bolts and test weight



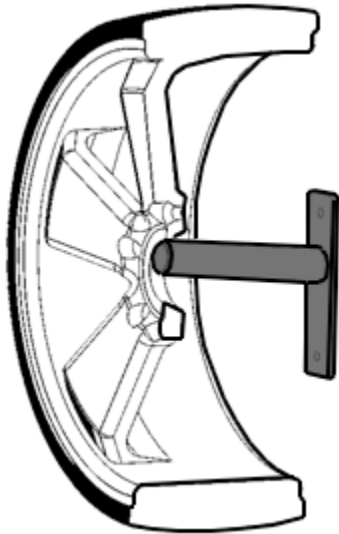
1. Fasten Bolts using a ratchet.
2. Test Hanger by pulling it up and down with one arm to make sure its securely in the wall.
3. Press plastic Caps over each Bolt Head (to protects your wheels from scratching)



# Hanging Wheels

---

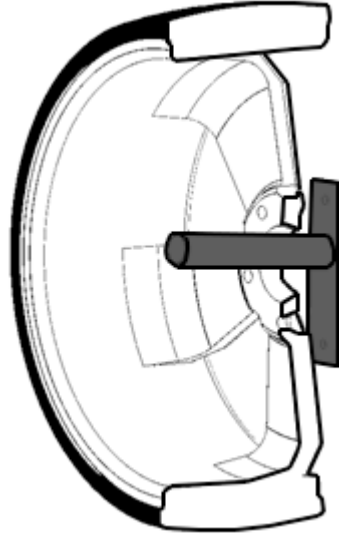
Step 4. Remove center cap and  
Hang wheel.



X Incorrect X

Cutaway view  
shown.

Always hang the  
wheel face closest  
to the wall



Correct

**Finished!**  
Great job.

---

## F.A.Q.

Q: What if my wheels don't have a center hub opening. (Some Corvettes)

A: Cover the hanger with the plastic bag it came in so it doesn't scratch your rims.  
Hang the rim through one of its wedge openings , resting at the top.

Q. My Wall has steel studs. Can I still use the Hangers?

A: Follow same instructions as wood stud wall but Reduce the weight capacity to 50lbs